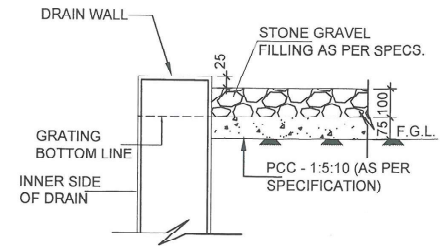
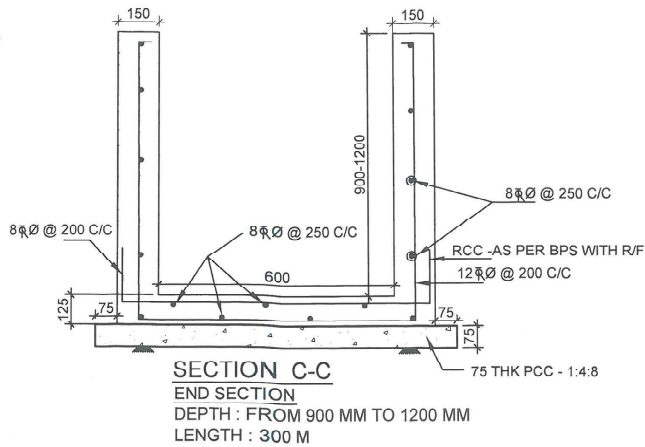


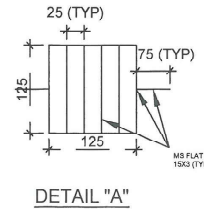
TYP. SECTION OF DRAIN EDGE TOWARDS EARTHEN SIDE



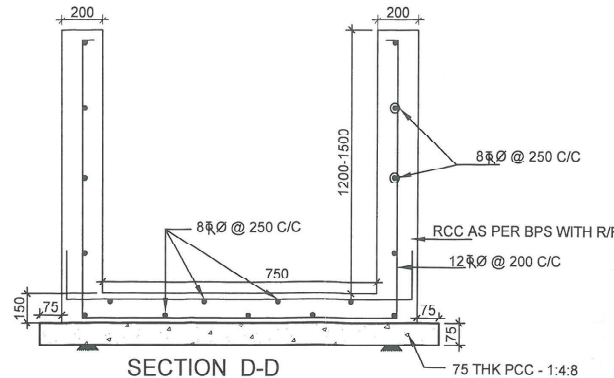
TYP. SECTION OF DRAIN EDGE TOWARDS SWITCHYARDS AREA



SECTION C-C
END SECTION
DEPTH : FROM 900 MM TO 1200 MM
LENGTH : 300 M



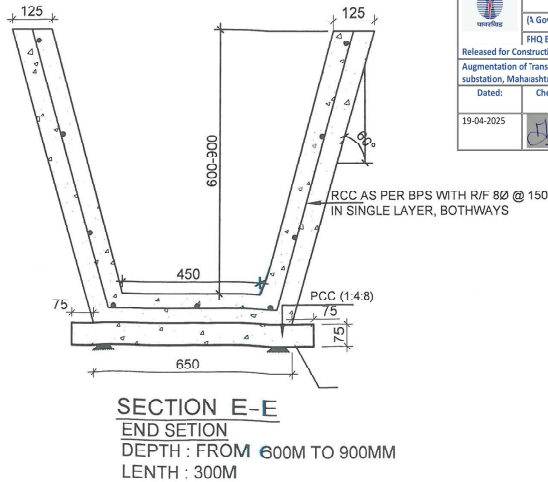
DETAIL "A"



SECTION D-D
END SECTION
DEPTH : FROM 1200 MM TO 1500 MM
LENGTH : 300 M

Augmentation of Transformation Capacity at 400/220 kV Boisar (PG), substation, Maharashtra by 400/220 kV, 1x500 MVA (5th) ICT

RELEASED FOR TENDER/CONSTRUCTION.



SECTION E-E
END SECTION
DEPTH : FROM 600 MM TO 900 MM
LENGTH : 300 M

NOTES:-

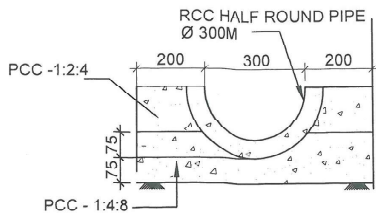
1. ALL DIMENSIONS ARE IN MM. & ELEVATIONS ARE IN METRE UNLESS NOTED OTHERWISE.
2. ALL DRAINS SHALL BE GIVEN A MINIMUM SLOPE OF 1:1000 IN THE LONGITUDINAL DIRECTION
3. ALL REINFORCEMENT SHALL BE AS PER BPS.
4. MINIMUM DEPTH OF DRAIN SHALL BE 300MM BELOW FGL.
5. WHERE EVER TWO SECTIONS ARE MEETING A TRANSITION ZONE SHALL BE CONSTRUCTED HAVING LENGTH 1000mm.
6. 75X75mm WEEP HOLE SHALL BE PROVIDED AT SPACING OF 1500mm HORIZONTALLY & 300mm VERTICALLY IN STAGGERED MANNER. HOWEVER 75MM DIA PVC PIPE WEEP HOLE SHALL BE PROVIDED IN CASE OF RCC DRAIN.
7. DEPTH OFF DRAIN IS TAKEN AS HEIGHT FROM TOP OF DRAIN TO INVERT OF DRAIN
8. LAYOUT OF DRAIN WILL BE ISSUED DURING DETAILED ENGINEERING.
9. IF EXPANSIVE SOIL IS ENCOUNTERED AT FOUNDING LVL. IT SHALL BE REMOVED TO A MIN. DEPTH OF 300 MM. AND SHALL BE REPLACED BY WELL COMPACTED (IN 03 EQ. LAYERS) LOCALLY AVAILABLE C.N.S. MATERIAL /SAND.
10. WHEREVER DRAINS ARE COMING IN THE SIDE OF SWITCHYARD / TOWNSHIP ROAD, PROPER COMPACTION BETWEEN EDGE OF ROAD AND DRAIN SHOULD BE ENSURED
11. 20MM WIDE EXPANSION JOINT SHALL BE PROVIDED IN RCC DRAIN @ 45M C/C. THE JOINT SHALL BE FILLED WITH 1:4 CEMENT SAND MORTAR.

POWERGRID CORPORATION OF INDIA LIMITED			
(A Government of India Enterprise)			
HQ Engineering WRTS-II, Vadodra			
Released for Construction			
Augmentation of Transformation Capacity at 400/220 kV Boisar (PG), substation, Maharashtra by 400/220 kV, 1x500 MVA (5th) ICT			
Date:	Checked By:	Verified By:	Approved By:
19-04-2025	[Signature]	[Signature]	[Signature]

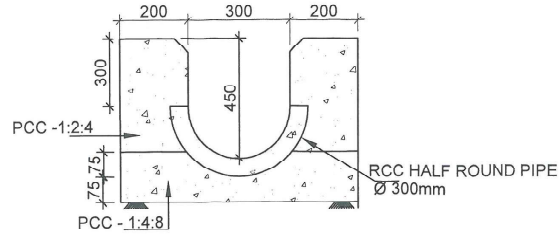
APPROVED BY ED (ENGG.TL-SS-CIVIL) VID
NOTE REFERENCE NO. C/ENGG/STD.DRG.
/Civil Works/03/Rel 6 DTD. 20.12.2016

POWER GRID CORPORATION OF INDIA LIMITED (A Government of India Enterprise)	
TITLE: STANDARD DRAIN	
SUB TITLE: DETAILS OF DRAIN	
DRAWING NO: C/ENGG/STD/RAIN/2016 (SHEET 01 OF 02)	
SCALE NTS	REV 0

Q.	REVISED AS MARKED	PREP.	REVD.	REVD.	REVD.	REVD.	APPD.	DATE
0.	REVISED AS MARKED	[Signature]	[Signature]	[Signature]	[Signature]	[Signature]	[Signature]	10/1/17
REV.	DESCRIPTION	JE(ENGG-CIVIL)	ACDE(ENGG-CIVIL)	CDE (ENGG-CIVIL)	ASTT.GM(ENGG-CIVIL)	AGM (ENGG-CIVIL)	GM (ENGG-CIVIL)	

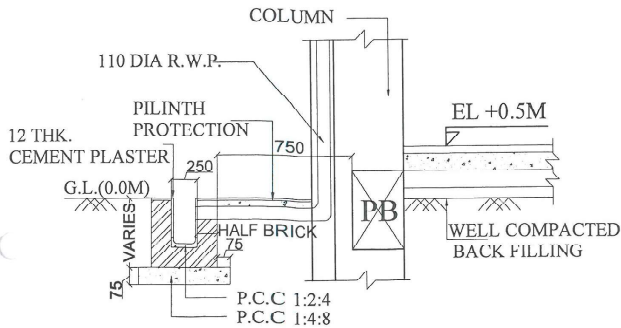
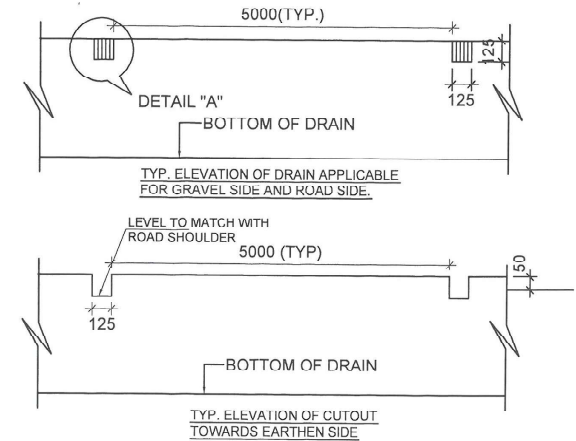
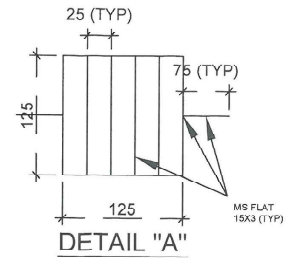


(TO BE USED AT BEGINING 150MM DEPTH)

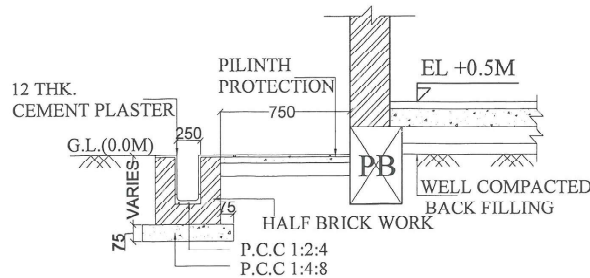


(TO BE USED 150 TO 450 MM DEPTH)

SECTION F-F



PLINTH PROTECTION DRAIN WITH RAIN WATER PIPE
APPLICABLE FOR ALL BUILDING (REFER TS MEASUREMENT CLAUSE)



PLINTH PROTECTION DRAIN (GENERAL)
APPLICABLE FOR ALL BUILDING (REFER TS MEASUREMENT CLAUSE)

RELEASED FOR TENDER/CONSTRUCTION.

POWER GRID CORPORATION
OF INDIA LIMITED
(A Government of India Enterprise)

TITLE:
STANDARD DRAIN

SUB TITLE:
DETAILS OF DRAIN

DRAWING NO:
C/ENGG/STD/DRAIN/2016
(SHEET 02 OF 02)

APPROVED BY ED (ENGG.TL-SS-CIVIL) VIDE
NOTE REFERENCE NO. C/ENGG/STD.DRG.
/Civil Works/03/2016 DTD 20.12.2016

	POWERGRID CORPORATION OF INDIA LIMITED			
	(A Government of India Enterprise)			
	RHC Engineering WRTS-II, Vadodra			
	Released for Construction			
Augmentation of Transformation Capacity at 400/220 kV Boisar (PG), substation, Maharashtra by 400/220 kV, 1x500 MVA (5th) ICT				
Date:	Checked By:	Verified By:	Approved By:	
19-04-2025				

Augmentation of Transformation Capacity at 400/220 kV Boisar (PG), substation, Maharashtra by 400/220 kV, 1x500 MVA (5th) ICT

0.	REVISED AS MARKED								
REV.	DESCRIPTION	PREP. JE(ENGG-CIVIL)	REVD. ACDE(ENGG-CIVIL)	REVD. CDE (ENGG-CIVIL)	REVD. ASTT.GM(ENGG-CIVIL)	REVD. ACM (ENGG-CIVIL)	APPD. GM (ENGG-CIVIL)	DATE	

SCALE
NTS

REV
0